



**BUILDING PRODUCTS**

**SUPPLY AND DESIGN**

# CR 200

PVC WHITE PANELS

## WALL AND CEILING PANEL SYSTEMS



### CR-200 CLEANROOM SYSTEMS

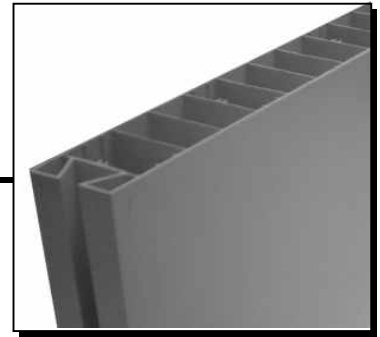
10,000 - 100,000 Class - Certified  
Research and Manufacturing Facility

**BIOREXIS PHARMACEUTICAL**  
KING OF PRUSSIA, PA 19406

Supplied and Designed By:  
Johnson Building Systems, Inc.  
975 Jaymor Rd - Southampton, PA 18966-3854

Tel: 800-445-7249 or (215) 673-6050 Fax: (215) 322-2076 E-Mail: [Sales@JohnsonEnergyGroup.com](mailto:Sales@JohnsonEnergyGroup.com)



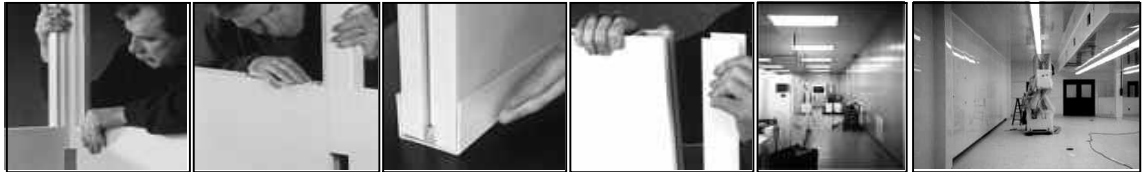


# CR-200 PV CLEAN ROOM SYSTEMS

## 1-3/4" PVC CORROSION RESISTANT

### INTERIOR PVC FREE STANDING RELOCATABLE WALLS AND DOORS

A product that allows the flexibility to construct partition walls, interior rooms, portable buildings, office partitions, spray booths for painting, wash bays separation and many other types of easy to clean enclosures.



TEMPORARY OR PERMANENT - Light Weight and Fast Assembly

Free Standing 1-3/4" Panel System		Product Number	Size	Description
<b>Max of 20' Long</b> 90° Corner 2" Connector 6" Extension 36" Panel		CR200PV	36"	36" Wall Panel
		PV160	6"	6" Wall Panel Extension
		Add-EPS	-	EPS Insulation Inserts (per sq. ft.)
		PV030	-	Edge Cap
		PV102	2-1/2"	2" Panel Connector
		PV090	2-1/2"	2" Corner Connector
		PV020	-	H-Bar Division Mullion (1" Legs)
		PV010	-	End Cap (1-1/2" Legs)
		PV095	-	Outside Corner

Prod.No.	.125" Heavy Duty White Moldings:	8' / 10' / 12'
V-35		PVC 2" X 2" Inside Corner Angle HD
V-37		PVC 2" X 2" Outside Corner Angle HD
V-275		1-3/4" Corner Cap (1-1/2" Legs) HD
V-245		1-3/4" Ledge Cap (1-1/2" Legs) HD
V-233		1-3/4" Two Piece Division HD
V-225		1-3/4" Cap (1-1/2" Legs) HD
V-210*		1-3/4" Floor Screed (2-1/2" Legs) HD

**CR-200PV  
Movable  
Wall  
Panels  
Up To  
24 Ft in  
Height**



\* AVAILABLE (WHITE / GRAY OR BLACK)

ANIMAL RESEARCH CONFINEMENT AND CAGE WASH • FOOD PROCESSING • CLEANROOMS



**PARTITION WALLS**



**PET WASH ROOM**



**CLEAN ROOM**

## ALTERNATE INSULATED FIBERGLASS PANELS

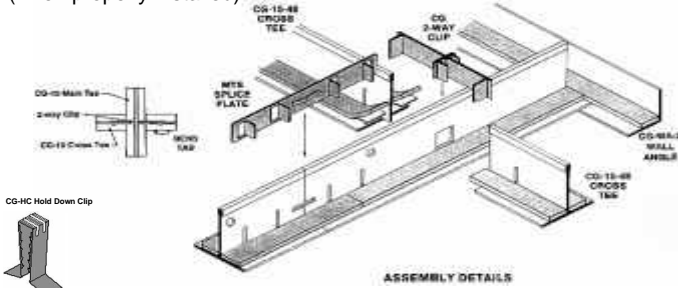
	Product Number	Description	R-Value	Finish
48" Wide	CR200-FP	.090 FRP White Textured Both Sides 1-3/4" EPS Insulation	7.5	Pebble
	CR200-FS	.090 FRP White Smooth Both Sides 1-3/4" EPS Insulation	7.5	Smooth
	CR200-BPV	1/8" HB White Smooth PVC Both Sides 1 3/4" Insulation	7.5	Smooth



# CLEANROOM GRID SYSTEM MEETS USDA AND FDA STANDARDS

## Environmental Aluminum Ceiling

The INSOLRAE Aluminum Grid System is excellent for all indoor ceiling application, presenting a clean white powder coat finish or satin anodized aluminum. Available in standard modules of 2' x 4' or 4' x 4'. Exceeds ASTM C635 intermediate duty classification. Pre-gasketed to seal and eliminate air leaks. This system has been engineered to safely support the loading of HEPA filter modules, light fixtures and ceiling tiles, and meets all national and local building code standards (when properly installed).



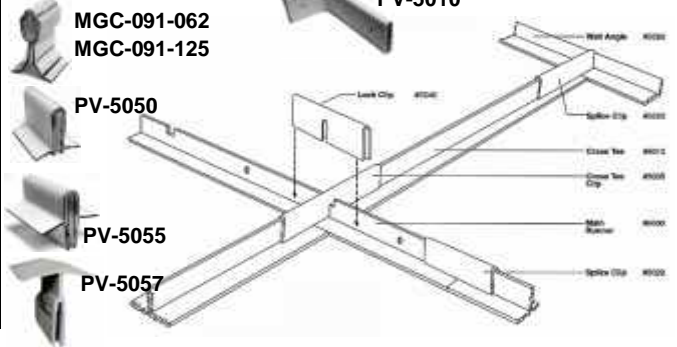
Extruded Aluminum	Dimension W x H	Length FT	Description	Amount per/ctn
CG-20	2" x 2"	12	2" Main Tee	16
CG-20-48	2" x 2"	4	2" Cross Tee	48
CG-20-24	2" x 2"	2	2" Cross Tee	48
CG-WA-20	2" x 2"	12	2" Wall Angle	30
CG-15	1½" x 1½"	12	1.5" Main Tee	24
CG-15-48	1½" x 1½"	4	1.5" Cross Tee	72
CG-15-24	1½" x 1½"	2	1.5" Cross Tee	72
CG-WA-15	1½" x 1½"	12	1.5" Wall Angle	30
CG-10	1" x 1½"	12	1" Main Tee	40
CG-10-48	1" x 1½"	4	1" Cross Tee	120
CG-10-24	1" x 1½"	2	1" Cross Tee	120
CG-WA-10	1" x 1½"	12	1" Wall Angle	30
MTS	Standard Main Tee Splice			
CG-2 WAY	Standard 2-Way Clip			
CG-HC	Standard Hold Down Clip			

## Corrosion Resistant Fiberglass Ceiling

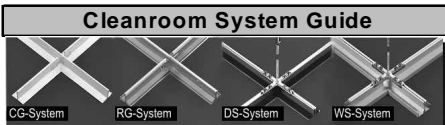
The INSOLRAE Fiberglass Grid System is an ideal alternative to metal.

This corrosion and rust resistant material is unaffected by moisture and humidity. Available in standard modules of 2' x 4' or 4' x 4'. Class A(1) Flame Spread ICBO Approved.

### Hold Down Clips



FRP/PVC	Length FT	Description	Amount per/ctn
PV-6000	12'	1.375" Main Runner	24
PV-6010	4'	1.375" Cross Tee	48
PV-6015	2'	1.375" Cross Tee	96
PV-5060	8'	1.375" Wall Angle	39
PV-5010		Wall Clip (Pre-Drilled)	200
PV-5020		Splice Clip	300
PV-5035		Cross Tee Clip	300
PV-5040		Lock Clip	300
MGC-091-062	1/13" (.062")	Thick Hold Down Clip	100
PV-5050	1/11" (.090")	Thick Hold Down Clip	500
MGC-091-125	1/8" (.125")	Thick Hold Down Clip	100
PV-5055	1"	Thick Panel Hold Down Clip	500
PV-5057	2"	Thick Panel Hold Down Clip	500



Class	100,000	10,000	1000	10	1
CG					
RG					
DS					
WS					
WG					
FG					

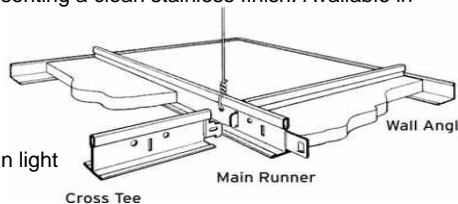
RG, DS & WS Grid Systems / WG & FG Walkable Grid Systems Available - Call For Pricing



## Environmental Stainless Steel Ceiling

The INSOLRAE Stainless Steel Grid System is excellent for all indoor ceiling application, presenting a clean stainless finish. Available in standard modules of 2' x 4' or 4' x 4'.

- Meets ASTM C635
- U.S.D.A. approved.
- Standard NEMA lay-in light fixtures fit



Stainless Steel	Dimension W x H	Length FT	Description	Amount per/ctn
SS-730	15/16" x 1½"	12	Main Tee	25
SS-734	15/16" x 1½"	4	Cross Tee	50
SS-732	15/16" x 1½"	2	Cross Tee	75
SS-1490	15/16" x 1½"	12	Wall Angle	25



## Accessories for Ceiling Grid Systems

16 Gauge Stainless Steel Wire	1 Coil
12 Gauge Galvanized Wire, 12' long, Straitened	10/PK
1/8" x 1/2" Aluminum Pop Rivets	100/Bx
1/8" x 1/2" Stainless Pop Rivets	100/Bx
1/8" Steel Washers	100/Bx
100080-V714 Norton Gray Gasket Field Applied	10
1/8"x1/2"x100' (Adhesive on one side)	



# CLEANROOM CEILING PANELS

## FOR USE IN REFRIGERATED, PHARMACEUTICAL, FOOD STORAGE AND PREPARATION AREAS

Easy Installation, simply lay in grid system.  
 Variety of colors available. Will not scratch, corrode or support bacterial growth. May be removed & cleaned with common household detergents.

### Standard Sizes:

2' x 2' = 23 3/4" x 23 3/4" Actual Size

2' x 4' = 23 3/4" x 47 3/4" Actual Size

4' x 4' = 47 3/4" x 47 3/4" Actual Size

*Sizes can be adjusted to meet various grid systems and field conditions.*



MATCHING WALL PANELS AVAILABLE  
 ((MAX 12' 0" HIGH))

Nominal Thickness	Description	R-Value
<b>NON-INSULATED DROP-IN FRP CEILING PANELS</b>		
1/8"	Class "A" Fire Rated 1/8" SANO-ACP Sanitary Performance White Aluminum with Composite Core	
1/8"	Class "A" Fire Rated 1/8" White Smooth FRP High Gloss	
1/4"	Class "A" Fire Rated 1/4" White Smooth Poly Metal Panel with Composite Solid Core	
1/4"	Class "A" Fire Rated 1/4" CR-HDPE-FX White High Gloss Smooth .040" PVC Solid Core panel 1.5#	
1/4"	Class "A" Fire Rated 1/4" LP-FRP-STX II .050" White FRP High Gloss Smooth Solid Core panel 1.5#	
5/8"	Class "A" Fire Rated 1/2" Gypsum board w/.035" white pebble FRP surface	
5/8"	Class "A" Fire Rated 1/2" Gypsum board w/.075" white FRP smooth surface	
<b>INSULATED DROP-IN FRP CEILING PANELS</b>		
3/4"	FRP 3/4" EPS .035" White Pebble Both Sides 2# Density	4.00
1-3/4"	FRP 1-3/4" EPS .035 White Pebble Both Sides 2# Density	8.00
2"	FRP 2" EPS .050 White Pebble Both Sides 2# Density	8.34
2"	FRP Pharm "A" Clean .075" FRP Smooth/.011 Aluminum 2" EPS 2# Density	8.34



- Call for price quote on panels not listed: other sizes, substrates, on quantities, gauges of FRP, colors and freight charges.
- Some panels listed require a minimum order
- Some thicknesses listed are nominal.

## POLY-LITE II PVC DOORS - PRE-HUNG 1-3/4" WHITE PVC FOR PLENUM AND CLEAN ROOM APPLICATIONS



**CALL FOR SUPPLY AND DESIGN QUOTE**

**DEALER REPRESENTATIVE**



**WHITE PVC PANELS FOR SYSTEMS CONSTRUCTION**

**CLEANROOMS CLASS 100,000 - 10,000 Manufacturing Facilities**

**AVAILABLE:**  
 CR100 CR300  
 CR200 CR400

**USDA MID ACCEPTED**